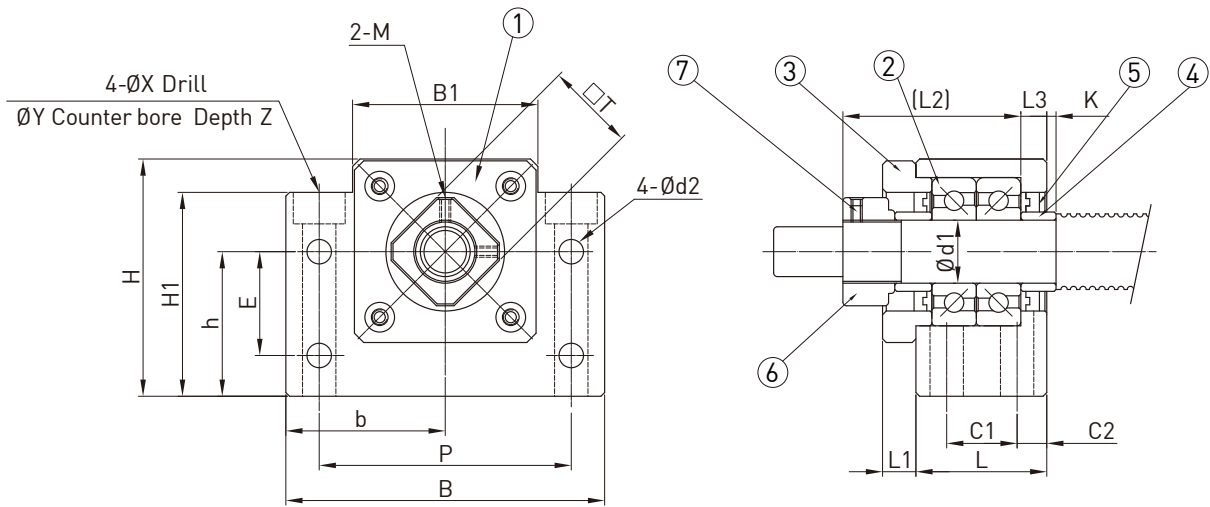


8.1.3 BK Series

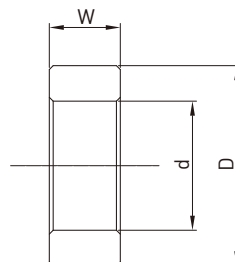


Part No.	Part name	Qty
1	Housing	1
2	Bearing	1 set
3	Holding lid	1
4	Collar	2
5	Seal	2
6	Set screw	1
7	Hexagonal socket-head setscrew with set piece	2



Specification	Main dimensions (mm)																				Weight (kg)		
	d1	L	L1	L2	L3	K	B	H	b (Note 1)	h (Note 1)	B1	H1	E	P	C1	C2	d2	X	Y	Z		M	T
BK10	10	25	5	29.5	5	0.5	60	39	30	22	34	32.5	15	46	13	6	5.5	6.6	10.8	5	M3	16	0.4
BK12	12	25	5	29.5	5	0.5	60	43	30	25	34	32.5	18	46	13	6	5.5	6.6	10.8	1.5	M4	19	0.45
BK15	15	27	6	32	6	0	70	48	35	28	40	38	18	54	15	6	5.5	6.6	11	6.5	M4	22	0.6
BK17	17	35	9	44	7	0	86	64	43	39	50	55	28	68	19	8	6.6	9	14	8.5	M4	24	1.3
BK20	20	35	8	43	8	0	88	60	44	34	52	50	22	70	19	8	6.6	9	14	8.5	M4	30	1.3
BK25	25	42	12	54	9	0	106	80	53	48	64	70	33	85	22	10	9	11	17	11	M6	35	2.4
BK30	30	45	14	61	9	0	128	89	64	51	76	78	33	102	23	11	11	14	20	13	M6	40	3.4
BK35	35	50	14	67	12	0	140	96	70	52	88	79	35	114	26	12	11	14	20	13	M6	50	4.4
BK40	40	61	18	76	15	0	160	110	80	60	100	90	37	130	33	14	14	18	26	17.5	M6	50	6.8

Specification	Collar dimensions (mm)		
	d	D	W
BK10	10	15.5	5.5
BK12	12	15.5	5.5
BK15	15	19.7	6
BK17	17	24.5	7
BK20	20	25.5	8
BK25	25	29.5	9
BK30	30	37.5	9
BK35	35	49.7	12
BK40	40	52.5	15



- Note: 1. Tolerance of Height (h) and tolerance of Width (b) refer to the precision of standard bearing.
2. If  $K > 0$ , the spacer is over the face of the housing. If  $K < 0$ , the spacer is under the face of the housing.
3. Specification are subject to change without notice.