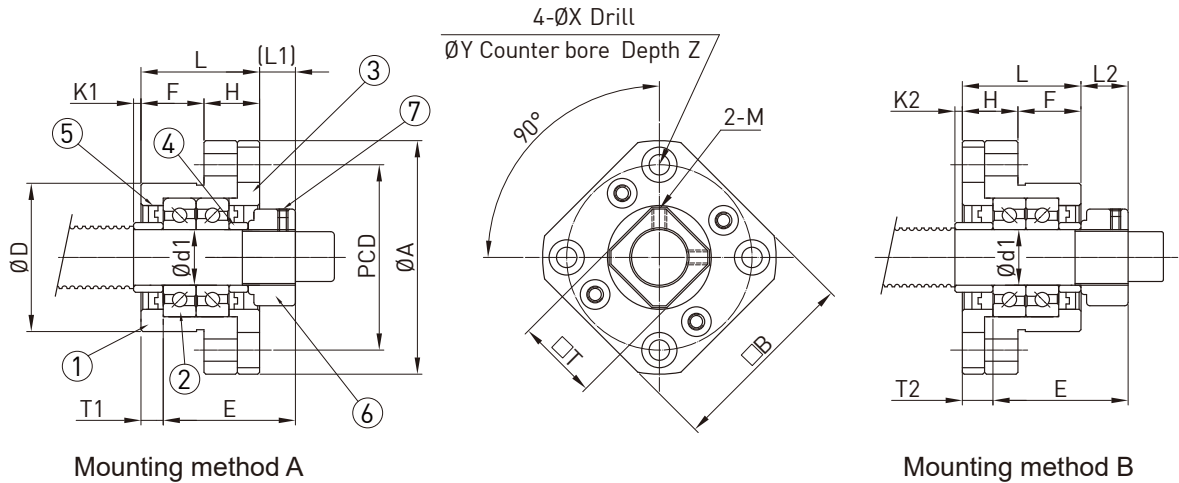
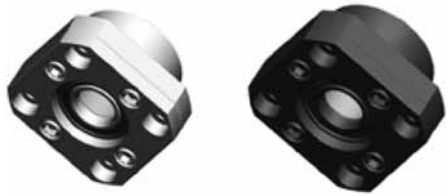


8.1.7 FK Series

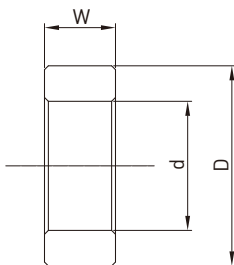


Part No.	Part name	Qty
1	Housing	1
2	Bearing	1 set
3	Holding lid	1
4	Collar	2
5	Seal	2
6	Set screw	1
7	Hexagonal socket-head setscrew with set piece	2



Specification	Main dimensions (mm)																			Weight (kg)	
	d1	L	H	F	E	D (Note 1)	A	PCD	B	Mounting method A			Mounting method B			X	Y	Z	M		T
										L1	T1	K1	L2	T2	K2						
FK05	5	16.5	6	10.5	18.5	20	34	26	26	5.5	3.5	0	5	3	0.5	3.4	6.5	4	M3	11	0.1
FK06	6	20	7	13	22	22	36	28	28	5.5	3.5	1.5	6.5	4.5	0.5	3.4	6.5	4	M3	12	0.1
FK08	8	23	9	14	26	28	43	35	35	7	4	1.5	8	5	0.5	3.4	6.5	4	M3	14	0.16
FK10	10	27	10	17	29.5	34	52	42	42	7.5	5	0.5	8.5	6	-0.5	4.5	8	5	M3	16	0.25
FK12	12	27	10	17	29.5	36	54	44	44	7.5	5	0.5	8.5	6	-0.5	4.5	8	5	M4	19	0.26
FK15	15	32	15	17	36	40	63	50	52	10	6	4	12	8	2	5.5	9.5	6	M4	22	0.4
FK17	17	45	22	23	47	50	77	62	61	11	9	1	14	12	-2	6.6	11	10	M4	24	0.85
FK20	20	52	22	30	50	57	85	70	68	8	10	1	12	14	-3	6.6	11	10	M4	30	1.2
FK25	25	57	27	30	60	63	98	80	79	13	10	5	20	17	-2	9	15	13	M6	35	1.6
FK30	30	62	30	32	61	75	117	95	93	11	12	-3	17	18	-9	11	17.5	15	M6	40	2.38

Specification	Collar dimensions (mm)		
	d	D	W
FK05	5	8	3.5
FK06	6	9.7	5
FK08	8	11.7	5.5
FK10	10	15.5	5.5
FK12	12	15.5	5.5
FK15	15	19.7	10
FK17	17	24.5	10
FK20	20	25.5	11
FK25	25	29.5	15
FK30	30	37.5	9



Note: 1. Diameter tolerance (D) refer to the precision of standard bearing.
 2. If $K1$ and $K2 > 0$, the spacer is over the face of the housing. If $K1$ and $K2 < 0$, the spacer is under the face of the housing.
 3. Specification are subject to change without notice.